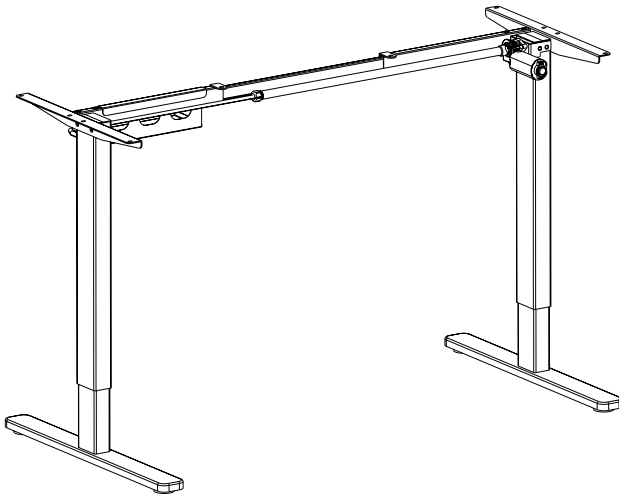




White Electric Single Motor Desk Frame Instruction Manual



SKU: DESK-EV00B



Scan the QR code with your mobile device or follow the link for helpful videos and specifications related to this product.

<https://vivo-us.com/products/desk-ev00B>

GET IN TOUCH | Monday-Friday from 7:00am-7:00pm CST



help@vivo-us.com



www.vivo-us.com
Chat live with an agent!



309-278-5303



WARNING!

If you do not understand these directions, or if you have any doubts about the safety of the installation, please call a qualified technician. Check carefully to make sure there are no missing or defective parts. Improper installation may cause damage or serious injury. Do not use this product for any purpose that is not explicitly specified in this manual and do not exceed weight capacity. We cannot be liable for damage or injury caused by improper mounting, incorrect assembly, or inappropriate use.

! ELECTRICAL SAFETY INSTRUCTIONS

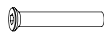
THIS PRODUCT IS POWERED BY ELECTRICITY. IN ORDER TO AVOID BURNS, FIRE AND ELECTRIC SHOCK, PLEASE READ THE FOLLOWING INSTRUCTIONS CAREFULLY.

- DO NOT CLEAN PRODUCT WHILE POWER IS CONNECTED.
- DO NOT DISASSEMBLE OR REPLACE COMPONENTS WHILE POWER IS CONNECTED.
- NEVER OPERATE THE SYSTEM WITH A DAMAGED CORD OR PLUG. PLEASE CONTACT YOUR SELLER TO REPLACE DAMAGED PARTS.
- NEVER OPERATE SYSTEM IN DAMP ENVIRONMENTS OR IF ANY ELECTRICAL COMPONENTS HAVE MADE CONTACT WITH LIQUIDS.
- ALTERATIONS OF THE GIVEN POWER UNIT ARE NOT ALLOWED.
- OUTDOOR USE IS PROHIBITED.

! WARNING: CHOKING HAZARD

SMALL PARTS - NOT FOR CHILDREN UNDER 3 YEARS. ADULT SUPERVISION IS REQUIRED.

PACKAGE CONTENTS



A (x4)
M8x47



B (x6)
M6x10



C (x14)
M6x12



D (x16)
M5x16



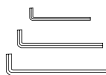
E (x12)
Anti-Vibration
Pads



F (x4)
Foot Pad



G (x2)
Cable Clip



H (x1)
2mm, 4mm, 5mm
Allen Wrench



1 (x1)
Desktop
(not included)



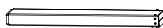
2 (x1)
Control Panel



3 (x2)
Side
Bracket



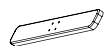
4 (x1)
Crossbar
End Set



5 (x1)
Leg



6 (x1)
Leg with Motor



7 (x2)
Foot



8 (x1)
Crossbar



9 (x1)
Sync Rod



10 (x1)
Power Adapter



11 (x1)
Power Strip
Tray

TOOLS NEEDED



Level



Drill



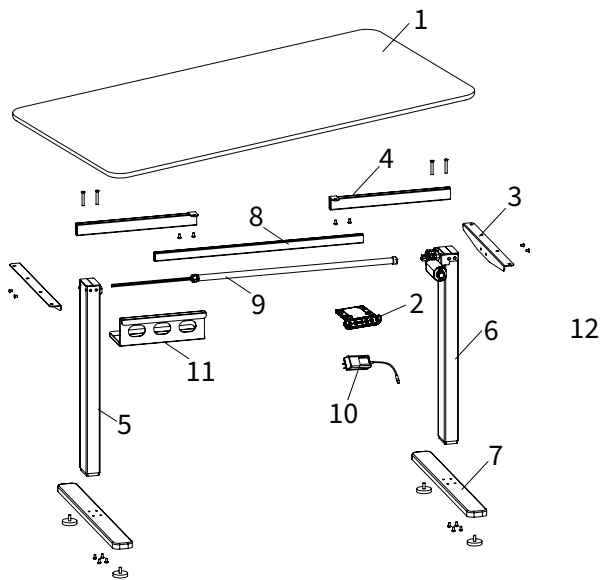
Phillips
Screwdriver

NOTE: SOME HARDWARE INCLUDED MAY NO BE USED

DO NOT EXCEED WEIGHT CAPACITY.

Failure to do so may result in serious injury.

**176lbs
(80kg)**



! WARNING

PINCH POINT

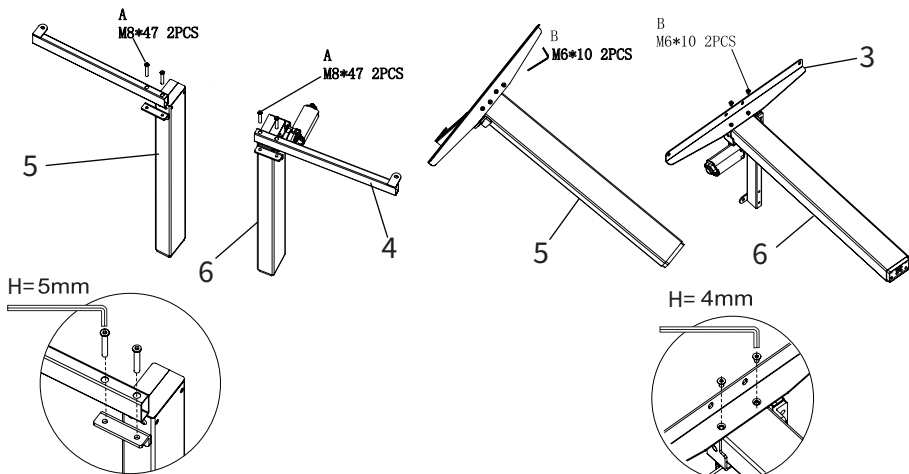
DO NOT place hands on or near support bars. Moving parts can crush and cut. Pinch points are created during lifting and lowering the worksurface. Failure to follow these instructions may result in serious personal injury.



ASSEMBLY STEPS

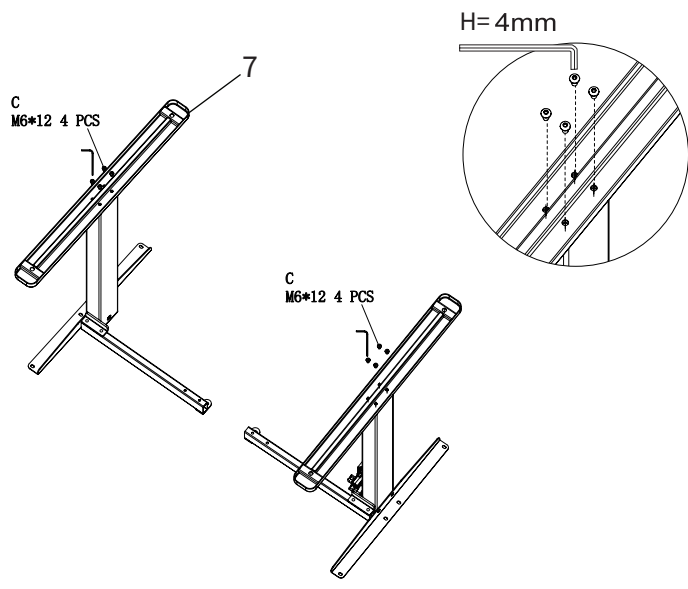
STEP 1

Assemble the crossbar ends (4) to the legs (5, 6) using M8x47 bolts (A). Ensure the ends are facing in the same directions as the motor and hex socket, and tighten the bolts using the 5mm Allen wrench (H). Mount the side brackets (3) to the legs, making sure the top is facing away from each crossbar end, using M6x10 bolts (B). Tighten with the 4mm Allen wrench (H).



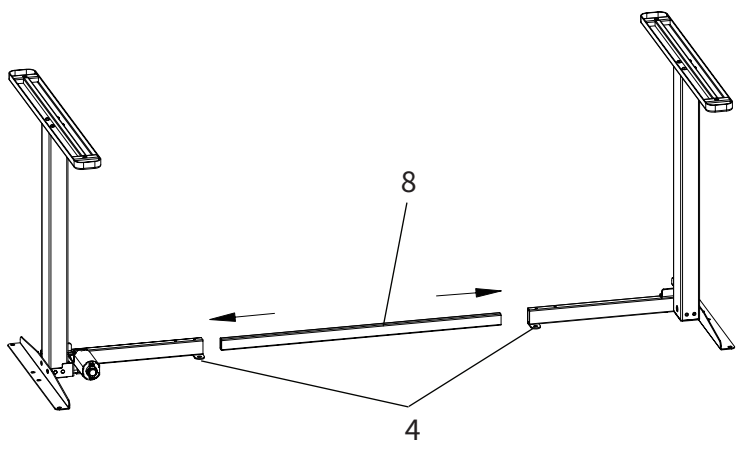
STEP 2

Place the feet (7) on the legs as shown, then insert and tighten M6x12 bolts (C) using the 4mm Allen wrench (H).



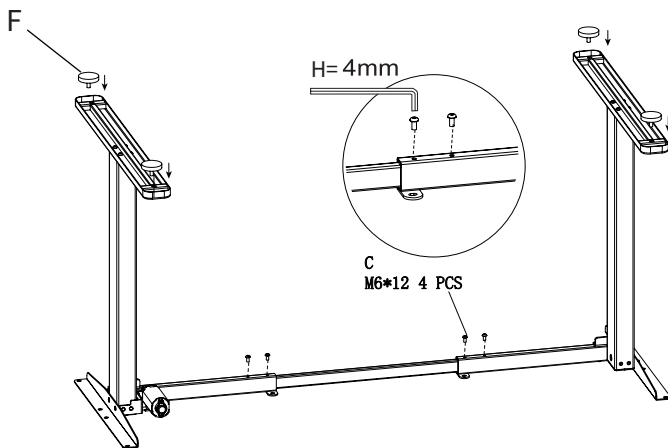
STEP 3

Insert the crossbar (8) into the crossbar ends (4).



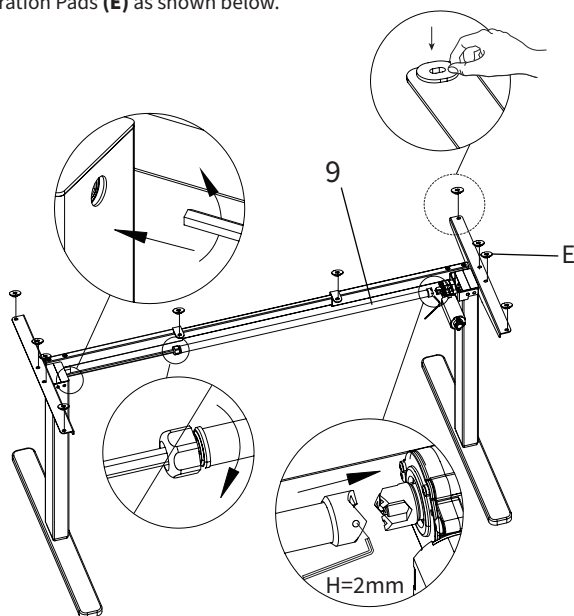
STEP 4

Screw the foot pads (**F**) into the feet. Insert M6x12 bolts (**C**) into the crossbar ends using the 4mm Allen wrench (**H**). Do not tighten at this time.



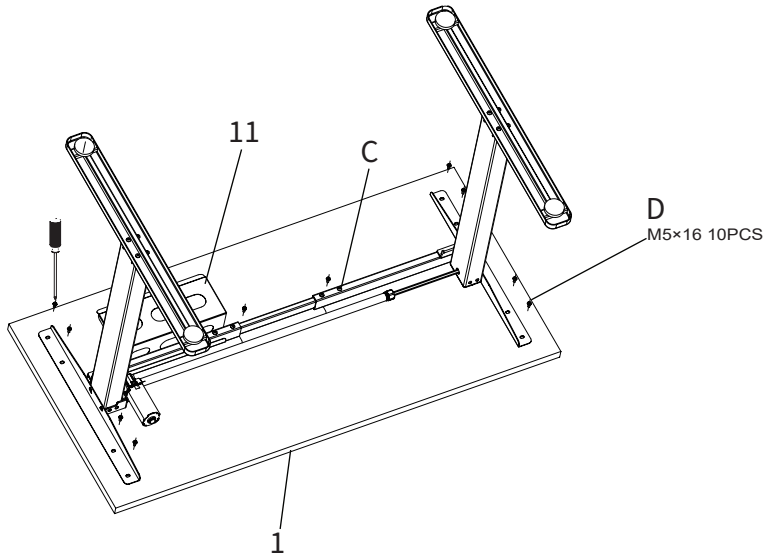
STEP 5

Loosen the nut on the sync rod (**9**). Insert the sync rod's hex shaft into the socket of the non-motorized leg, then extend the rod onto the motor coupling. Tighten the set screw on the sync rod coupling using the 2mm Allen wrench (**H**), but do not yet tighten the nut. Install the Anti-Vibration Pads (**E**) as shown below.



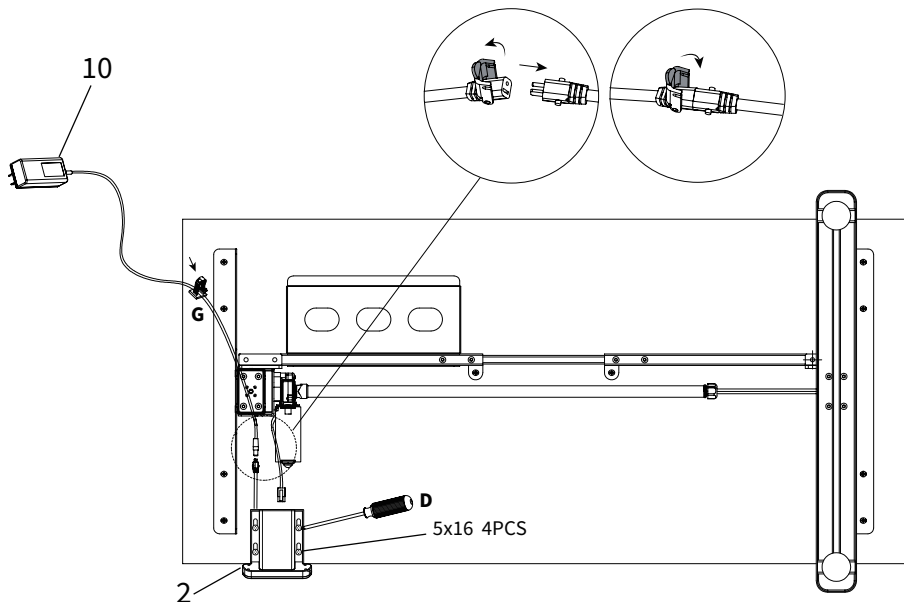
STEP 6

Hang the power strip tray (**11**) over the crossbar. Adjust the frame length to fit the desktop (**1**), then secure to the desktop using M5x16 screws (**D**) with a Phillips screwdriver. Tighten the sync rod nut and previously inserted M6x12 bolts (**C**).



STEP 7

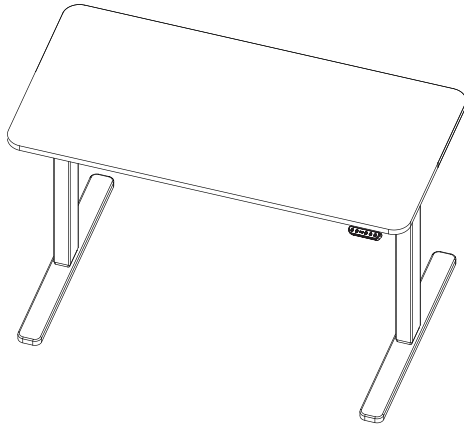
Attach the Control Panel to the desk using M5x16 screws (**D**). Connect the motor and power adapter (**10**) to the control panel (**2**). Tidy up cables using Cable Clips (**G**).



STEP 8

Carefully flip the assembled desk right side up and plug the power cord into an AC electrical outlet. If necessary, adjust foot pads to level the desk.

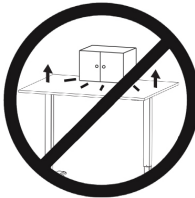
The desk is now ready for use. Please refer to the Controller User Guide for operational instructions.



CAUTION!



Do not exceed desk weight limit.



Keep area of vertical motion free of obstacles.



Keep weight on desk balanced for correct operation and longer life of components.



Leave enough slack in cables to allow for full range of vertical motion.

Failure to follow these instructions may result in property damage and/or personal injury.



Open **Monday - Friday 7:00am - 7:00pm** CST,
our dedicated support team can offer immediate assistance with rapid response times. If any parts are received damaged or defective, please contact us. We are happy to replace parts to ensure you have a fully functioning product.


 help@vivo-us.com

AVG. RESPONSE TIME (*within office hrs*): **1HR 8M**

- 23% within < 15m
- 38% within < 30m
- 61% within < 1hr
- 83% within < 2hr
- 92% within < 3hr

 www.vivo-us.com
Chat live with an agent!

AVG. RESOLUTION TIME (*within office hrs*): **< 15 M**

 309-278-5303

AVG. RESOLUTION TIME (*within office hrs*): **5M 4S**